

# MF<sub>X</sub>\_4 TERMINAL PRO TT IP65

The high-performance MF<sub>X</sub>\_4 system-based flow computer meets the highest standards for flexible and reliable Office of Weights and Measures testing, for mixing and for the control of processes in liquid handling, particularly for petroleum products. With more than 30 years of operational experience and 18,000 installations, the fourth generation combines long-standing industry experience with state-of-the-art technology and uses communication standards that have never before been applied to industrial flow computers.

## MF<sub>X</sub>\_4 TERMINAL PRO TT IP65

The MF<sub>X</sub>\_4 Terminal PRO TT IP65 is the extended version of the man-machine interface (MMI) of the MF<sub>X</sub>\_4 device family for use in non-hazardous areas. It is used for communication with the MF<sub>X</sub>\_4 Controller, other suitable system participants or connected host systems such as SCADA or TAS systems.

Because of the wide variety of different protocols and communication standards they support, all MF<sub>X</sub>\_4 systems can be easily integrated, quickly configured and serviced remotely while in operation. In order to substantially expand the range of application options, the MF<sub>X</sub>\_4 system-based flow computer sets itself apart with its distributed architecture consisting of centralised processing units and decentralised control units.

In order to ensure optimal ease of use, all versions of the MF<sub>X</sub>\_4 Terminal Pro Touch are equipped with a configurable graphic, high-contrast and full-colour display. It also offers multilingual user guidance and the display of all process data of the attached system.

The MF<sub>X</sub>\_4 Terminal PRO TT IP65 meets the high requirements for readability in difficult operating environments with its graphical 10.4" colour display and the ability to display process data in different font sizes.

The heavy-duty weatherproof touch screen and the alphanumeric keyboard of the MF<sub>X</sub>\_4 Terminal PRO TT IP65 are also equipped with freely assignable keys. This allows the display to be individually configured for a wide range of applications.

With the integrated MF<sub>X</sub>\_4 RFID card reader, its TCP/IP connection and the optionally available control inputs and control outputs, the MF<sub>X</sub>\_4 Terminal PRO TT IP65 is also ideally equipped for serve as a separate access control for the entrance and exit gate at the loading terminal, for example.



↑ MF<sub>X</sub>\_4 Terminal PRO TT IP65

# MFX\_4 TERMINAL PRO TT IP65

## TECHNICAL DATA / FEATURES

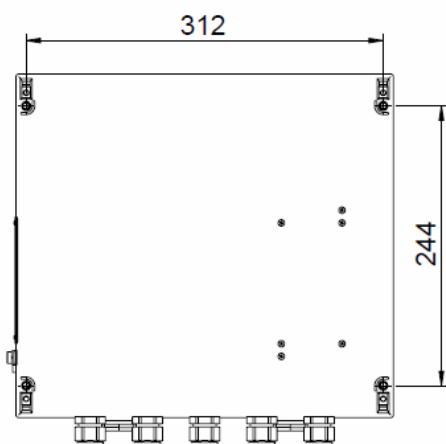
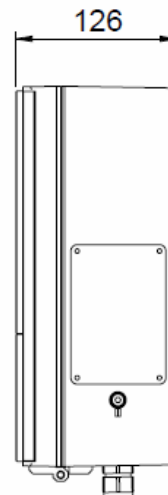
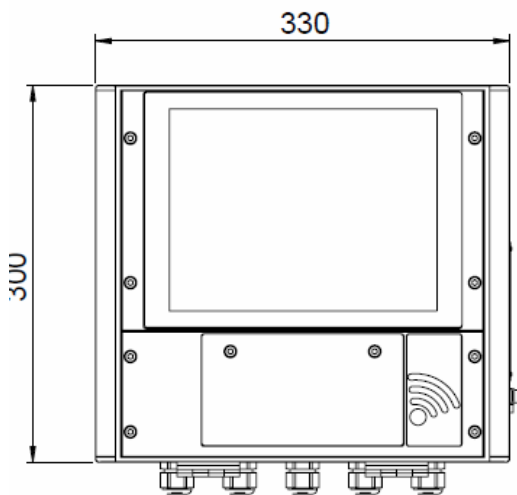
<b>Housing</b>	<ul style="list-style-type: none"> <li>B 330 mm x H 300 mm x T 126 mm, front - Aluminium black anodised, body - powder-coated aluminium</li> </ul>
<b>Protection class</b>	<ul style="list-style-type: none"> <li>IP65</li> </ul>
<b>Weight</b>	<ul style="list-style-type: none"> <li>6 kg</li> </ul>
<b>Operating temperature</b>	<ul style="list-style-type: none"> <li>20 °C ... +40 °C [extended temperature range on request]</li> </ul>
<b>Storage temperature</b>	<ul style="list-style-type: none"> <li>-25 °C ... +75 °C</li> </ul>
<b>Supply voltage</b>	<ul style="list-style-type: none"> <li>24 VDC ±10 % or optional 110/230 VAC ±10 % 50/60 Hz P<sub>typ</sub> = 15 W      P<sub>max</sub> = 40 W</li> </ul>
<b>Display</b>	<ul style="list-style-type: none"> <li>Large graphic colour display, XGA (1024 x 768 pixel) LED backlight Automatic contrast adjustment</li> </ul>
<b>Touch panel</b>	<ul style="list-style-type: none"> <li>Resistive (weatherproof)</li> </ul>
<b>Keyboard</b>	<ul style="list-style-type: none"> <li>Foil keyboard</li> </ul>
<b>Card reader</b>	<ul style="list-style-type: none"> <li>Integrated card reader MFX_4 RFID Transponder [Proximity] 13,56 MHz</li> </ul>
<b>Interfaces</b>	<ul style="list-style-type: none"> <li>1 x CAN-Bus</li> <li>1 x RS232</li> <li>1 x RS485 [on request]</li> <li>1 x Ethernet [TCP/IP]</li> </ul>
<b>Protocols</b>	<ul style="list-style-type: none"> <li>CANopen</li> <li>MODBUS RTU</li> <li>MODBUS TCP</li> <li>OPC [via separate software license]</li> </ul>
<b>Inputs/Outputs</b>	<ul style="list-style-type: none"> <li>4 x Digital inputs (galvanically isolated)</li> <li>4 x Digital outputs (galvanically isolated)</li> <li>Auxiliary voltage 12 VDC (galvanically isolated) I<sub>max</sub> = 150 mA</li> </ul>
<b>Multi language capability</b>	<ul style="list-style-type: none"> <li>German, English, French, Spanish, Polish, Russian, Hungarian, Slovakian (Other languages on request)</li> </ul>

# MFX\_4 TERMINAL PRO TT IP65

## PRODUCT KEY / OPTIONS

	4020000 + [Basic device]	
<b>Basic device</b>	P230 P024	Power supply 110/230 VAC $\pm 10\%$ 50/60 Hz Power supply 24 VDC $\pm 10\%$

## DIMENSIONS



\* Dimensions are given in millimeters